

## Double column trolley

- ▶ High quality electric lift
- ▶ Perfectly suited for export, public tenders and the education market
- ▶ Supplied as a self-assembly kit
- ▶ Assembled in max. 15 minutes
- ▶ 4 robust braked swivel castors with  $\varnothing$  100 mm
- ▶ In the lowest position, this model is also suitable for primary schools
- ▶ Ships @ 20 products per pallet



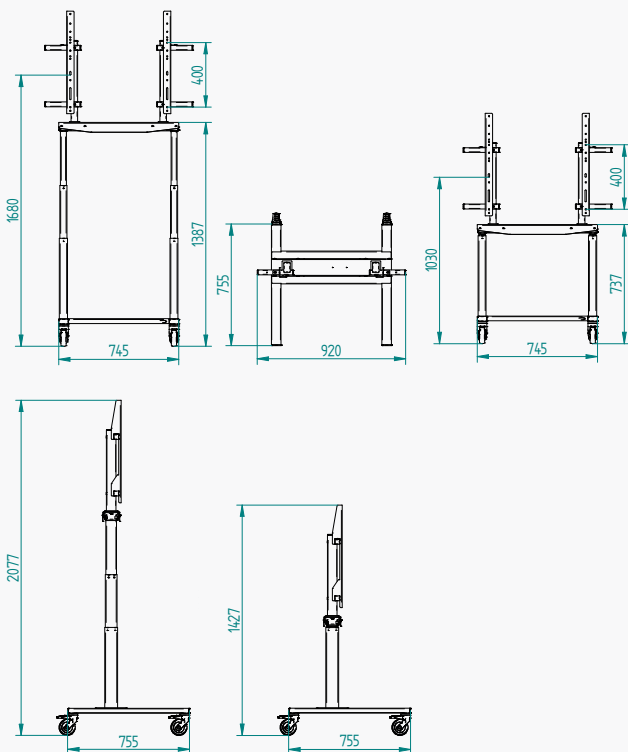
Max. 100 kg    Black    103 - 168 cm    65 cm    Safety Stop



VESA (W x H)

- 800 x 600
- 800 x 400
- 700 x 400
- 600 x 400
- 600 x 230
- 600 x 200
- 500 x 400
- 456 x 400
- 400 x 400
- 400 x 300
- 400 x 200
- 300 x 400
- 300 x 300
- 200 x 400
- 200 x 200

### Technical drawing



### Packaging



EN 62368-1:2014